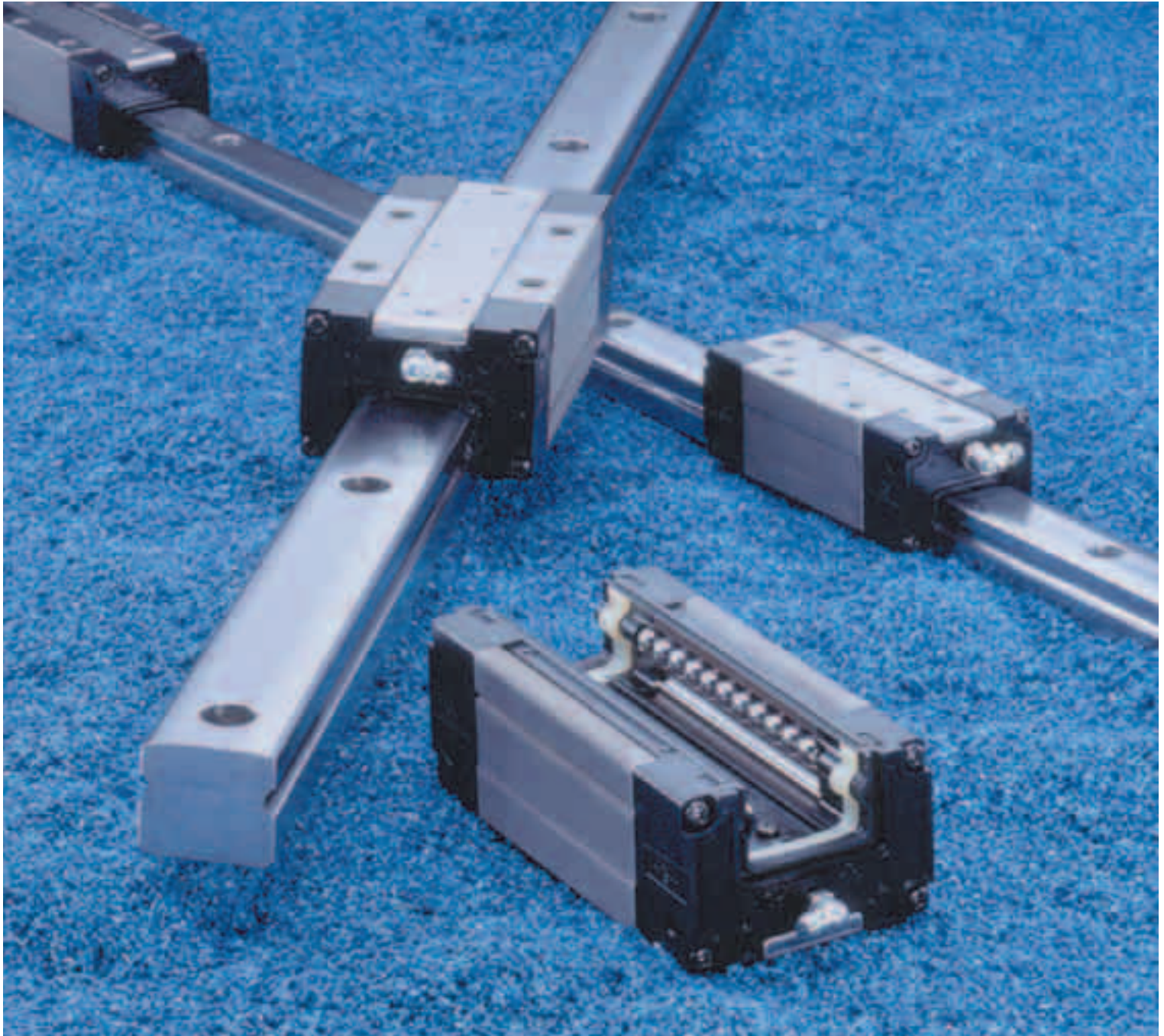


New Type of Rolling Element Linear Motion Bearing

Translide™

Extended lineup with individual parts for rails and sliders available for purchase. Innovative rolling element linear motion bearing achieves superior cost effectiveness. Standard features include NSK K1™ lubrication unit and high performance seal; especially suitable for transport equipment.

Patent Pending



Inexpensive linear guide realized through an unprecedented manufacturing process

New Type of Rolling Element Linear Motion Bearing—Translide™

Translide™, a new type of rolling element linear motion bearing, is well suited to transportation equipment; for example, manufacturing lines of automobiles, automobile parts, and the like. It defies all traditional understanding within the industry in every aspect, and is surely a landmark in the progress of linear motion bearing technology.

1 Features

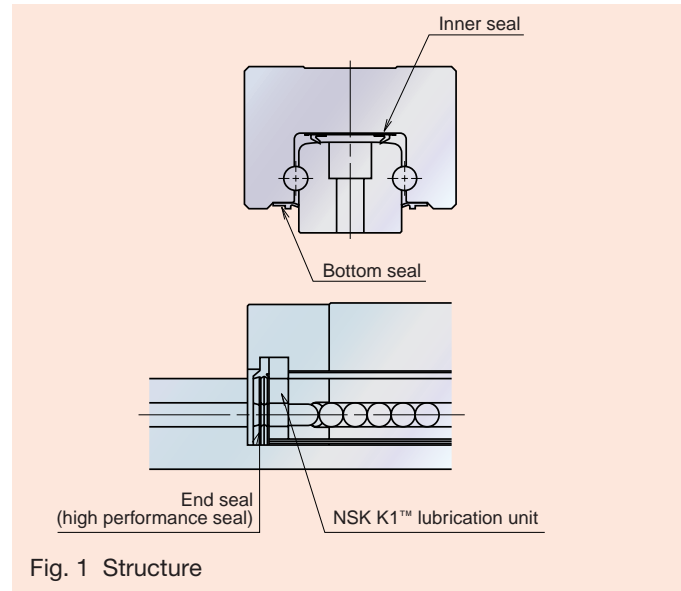
- Inexpensive** Newly developed manufacturing process of rail, and design review of ball slide contribute to substantial cost reductions.
- High capacity** Optimum ball diameter for higher capacity design.
- High dust proof capability** Dust-tight high performance end seals, bottom seals, and inner seals are built-in as a standard feature. (Optional protector is available for protection against hot debris such as welding spatters or hard contamination.)
- Maintenance free** NSK K1™ lubrication unit is equipped as a standard specification for long-term maintenance-free operation.
- Rust prevention** NSK provides a lineup of products with antirust surface treatment for corrosive environments.
- Interchangeable rails and ball slides (New product)** Launched interchangeable type of rails and ball slides for random matching.

2 Structure

Enhanced dustproof design and simple structure has contributed toward longer life. (Refer to Fig. 1)



Balls are glued to the tracks in order to take this picture.



3 Accuracy and Clearance

Accuracy grade: Normal grade for transportation **Running parallelism:** 100 μm or less **Clearance:** 60 μm or less

4 Application

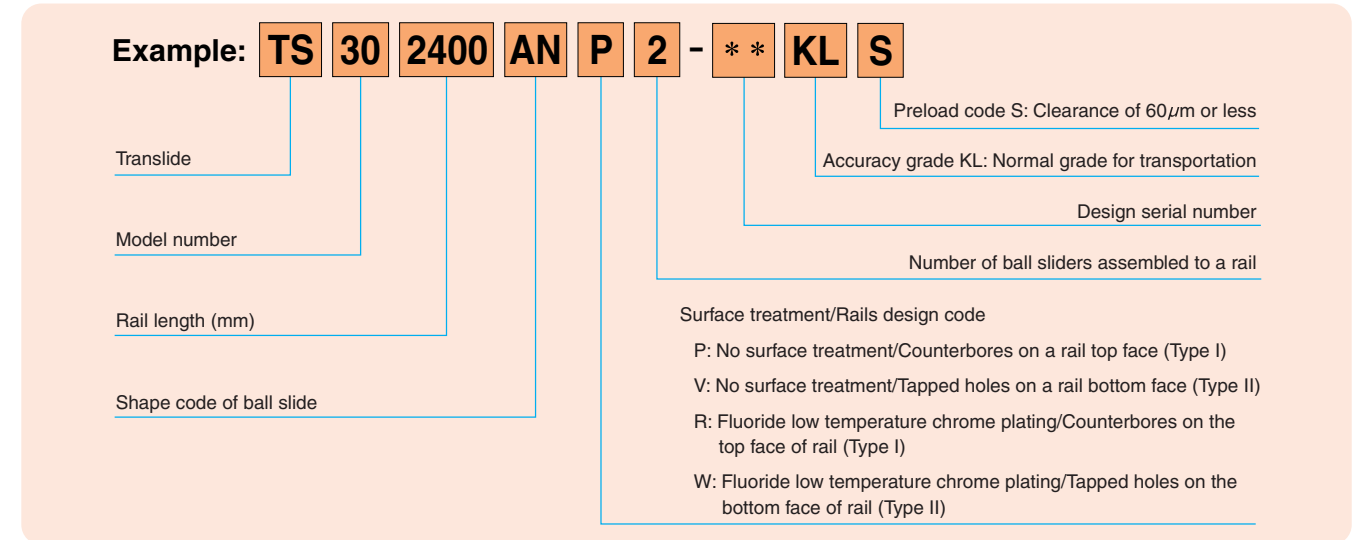
Suitable for transporting equipment Automobile manufacturing, machine tools (loader/un-loader), tire manufacturing equipment, woodworking machines, automatic doors, and the like.

Extended lineup to answer various market demands

5 Reference Number

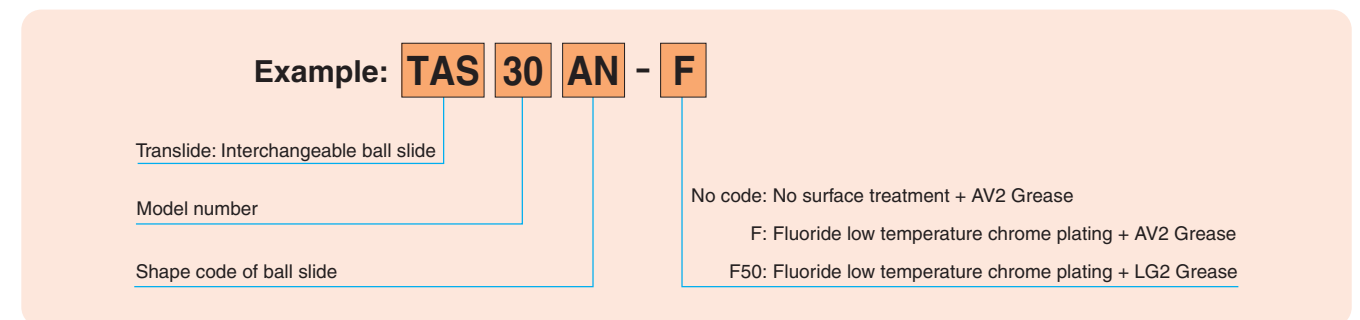
Reference numbers are assigned to identify a Translide after finalizing all specifications. These reference numbers will be shown on a specification drawing. Please specify the reference number to identify the product when ordering.

5.1 Assembled Type

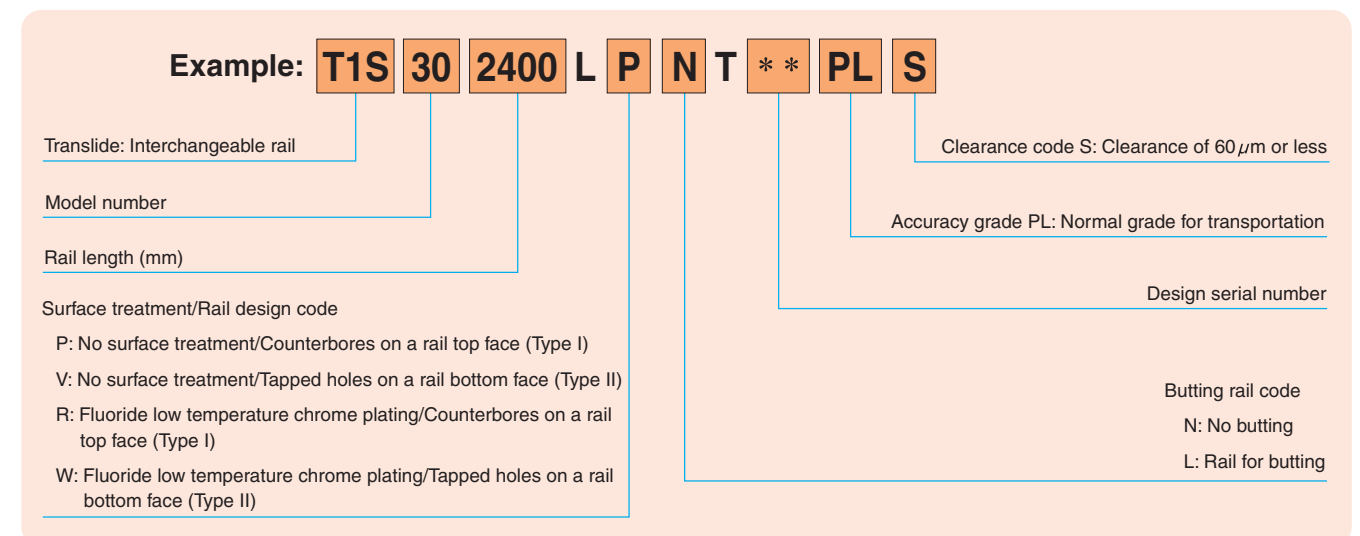


5.2 Interchangeable

(1) Interchangeable ball slide



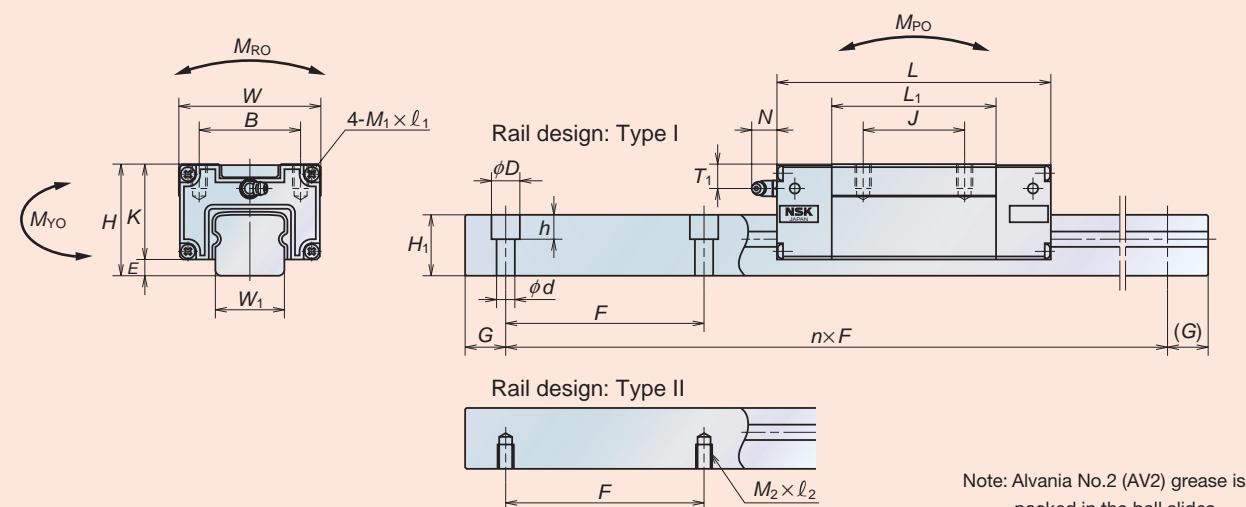
(2) Interchangeable rail



6 Dimensions

6.1 Assembled Type

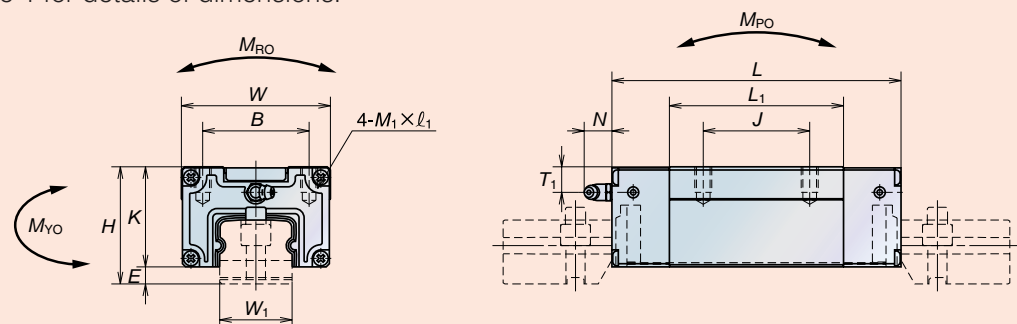
Dimensions are shown in Table 1.



6.2 Interchangeable Type

(1) Interchangeable ball slide

Refer to Table 1 for details of dimensions.



(2) Interchangeable rail

Refer to 6.1 Assembled Type for rail type, and Table 1 for details of dimensions.

7 Result of Endurance Test

Deterioration in surface roughness is not observed on ball tracks of a rail after running the distance of the estimated life. (Refer to Fig. 2)

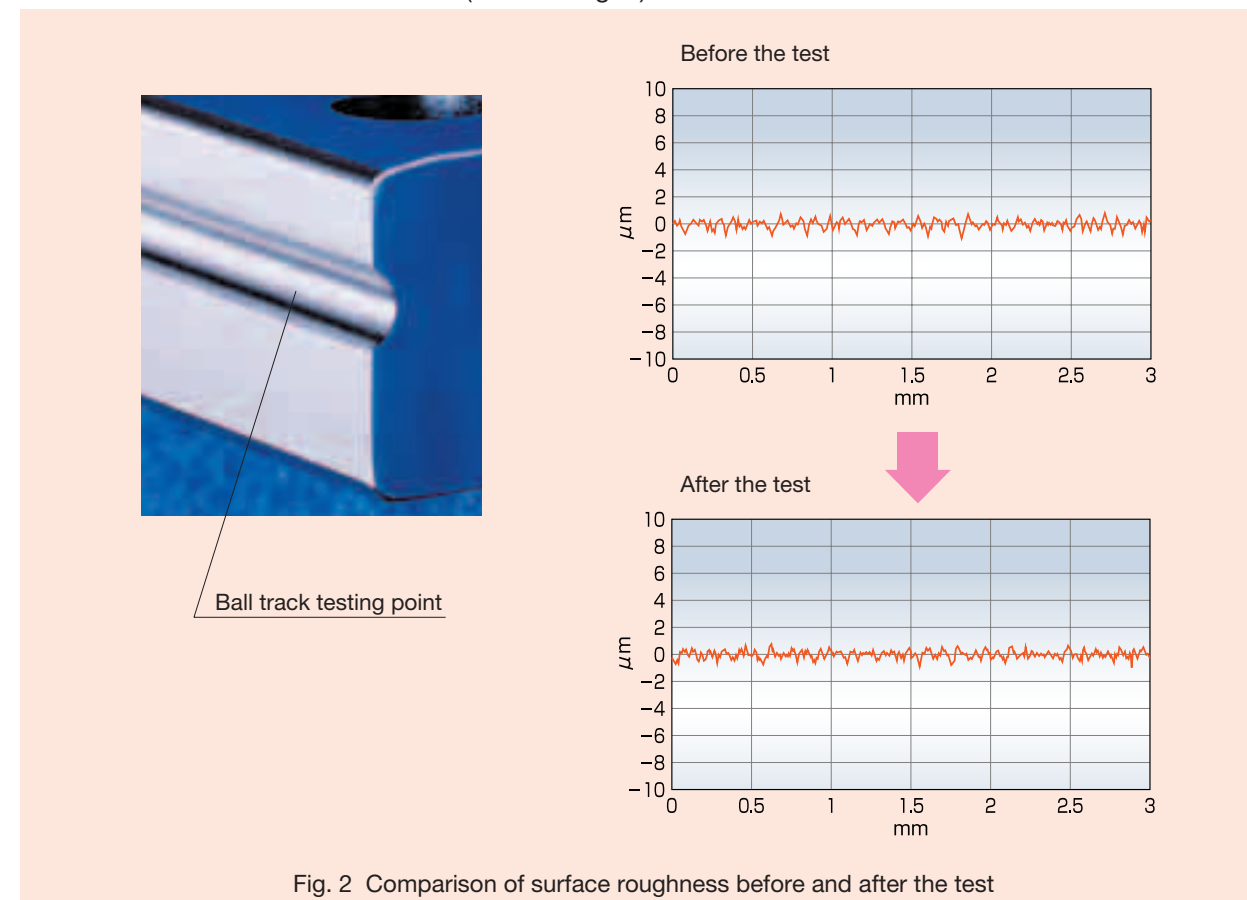


Fig. 2 Comparison of surface roughness before and after the test

Precautions for using Translide™

Please follow the precautions below for your safety.

- Ambient temperature: 50°C maximum (80°C, instantaneous), Maximum speed: 200 m/min.
- Allowable mounting accuracy: Parallelism of two sets: 100 μm, Height variation of two sets: 500 μm/500 mm.
- Consult with NSK when using a Translide in a single rail configuration.
- Be sure to take safety measures against falling loads if you mount a Translide upside down.
- Never use in an environment where degreasing solvents are present.
- Balls fall out if a ball slide is removed from a rail. Use a provisional rail if you need to dismount a ball slide from a rail. NSK assembles interchangeable ball slides on provisional rails for shipping. Take great care when inserting a ball slide in a rail.

Table 1 Dimensions

Model number	Assembly		Ball slide								Rail							Basic load rating					Ball diameter D_w	Mass			
	Height $H_{\pm 0.1}$	E	Width W	Length L	Tapped hole			L_1	K	Grease fitting			Width W_1	Height H_1	Pitch F	Type I	Type II	G	Max. length L_{0max}^*	Dynamic C (N)	Static C_0 (N)	Allowable static moment load (N·m)			Ball slide (kg)	Rail (kg/m)	
					B	J	$M_1 \times \text{Pitch} \times l_1$			Screw size	T_1	N				$d \times D \times h$	$M_2 \times \text{Pitch} \times l_2$					(Recommended)	M_{R0}	M_{P0}			M_{Y0}
TS15AN	28	3	34	72.2	26	26	M4 × 0.7 × 6	39	25	φ3	6.5	(5)	15	14	120	4.5 × 7.5 × 5.3	M4 × 0.7 × 6	20	1 960	9 800	11 800	92	64	64	3.968	0.21	1.5
TS20AN	30	3	44	87	32	36	M5 × 0.8 × 8	50	27	M6 × 0.75	6.5	(14)	20	15	120	6 × 9.5 × 8.5	M5 × 0.8 × 8	20	2 920	15 700	19 100	196	137	137	4.762	0.37	2.1
TS25AN	40	4	48	100	35	35	M6 × 1 × 9	58	36	M6 × 0.75	9.5	(14)	23	20	120	7 × 11 × 9	M6 × 1 × 9	20	4 000	21 800	26 000	320	217	217	5.556	0.47	3.4
TS30AN	45	6.5	60	115	40	40	M8 × 1.25 × 10	70	38.5	M6 × 0.75	9.5	(14)	28	25	160	9 × 14 × 12	M8 × 1.25 × 12	20	4 040**	31 000	37 500	565	395	395	6.350	0.77	5.3
TS35AN	55	8	70	135.8	50	50	M8 × 1.25 × 12	81.8	47	M6 × 0.75	12	(14)	34	30	160	9 × 14 × 12	M8 × 1.25 × 12	20	4 040**	46 500	53 000	970	635	635	7.937	1.3	7.7

* For a rail over the maximum length, rails for butting connection are available. Please consult with NSK.
** The maximum length of fluoride low temperature chrome plated products is 4 000 (G=80).

The basic dynamic load rating C is a load that furnishes 50 km rating fatigue life; it is a vertical and constant load to the ball slide mounting surface. To convert C to C100 for a 100 km fatigue life, divide C by 1.26.

Worldwide Sales Offices

NSK Ltd. – Headquarters, Tokyo, Japan www.nsk.com		Korea:		Netherlands:	
ASIA BUSINESS STRATEGIC DIVISION-HEADQUARTERS	tel: 03-3779-7145	NSK Korea Co., Ltd.	www.kr.nsk.com	NSK European Distribution Centre B.V.	tel: 013-4647647
INDUSTRIAL MACHINERY BEARINGS DIVISION-HEADQUARTERS	tel: 03-3779-7227	Seoul	tel: 02-3287-0300	Tilburg	
AUTOMOTIVE DIVISION-HEADQUARTERS	tel: 03-3779-7189	Changwon Plant	tel: 055-287-6001	Poland:	
NEEDLE ROLLER BEARINGS STRATEGIC DIVISION-HEADQUARTERS	tel: 03-3779-2563	Malaysia:		NSK Europe Ltd. Warsaw Liaison Office	tel: 022-645-1525, 1526
PRECISION MACHINERY & PARTS DIVISION-HEADQUARTERS	tel: 03-3779-7219	NSK Bearings (Malaysia) Sdn. Bhd.	tel: 03-7722-3373	Warsaw Liaison	
		Kuala Lumpur		NSK Iskra S.A.	
		NSK Micro Precision (M) Sdn. Bhd.	tel: 03-8961-6288	Kielce	tel: 041-367-0505
		Malaysia Plant		NSK European Technology Center, Kielce	tel: 041-366-5812
		New Zealand:		NSK Steering Systems Europe (Polska) Sp.zo.o	tel: 074-664-4101
		NSK New Zealand Ltd.	www.nsk-rhp.co.nz	Spain:	
		Auckland	tel: 09-276-4992	NSK Spain S.A.	
		Philippines:		Barcelona	tel: 093-289-27-63
		NSK Representative Office		Turkey:	
		Manila	tel: 02-759-6246	NSK Bearings Middle East Trading Co., Ltd.	tel: 0216-442-7106
		Singapore:		Istanbul	
		NSK International (Singapore) Pte Ltd.	tel: 65-6278-1711	United Kingdom:	
		Singapore		NSK Bearings Europe Ltd.	
		NSK Singapore (Pte) Ltd.	www.nsk-singapore.com.sg	Peterlee Plant	tel: 0191-586-6111
		Singapore	tel: 65-6278-1711	NSK European Technology Centre	tel: 01636-605123
		Taiwan:		Newark	tel: 01636-605123
		Taiwan NSK Precision Co., Ltd.	tel: 02-2509-3305	NSK UK Ltd.	tel: 01636-605123
		Taipei		NSK Precision UK Ltd.	tel: 01636-605123
		Thailand:		Newark	tel: 01636-605123
		NSK Bearings (Thailand) Co., Ltd.	tel: 02-6412-150	NSK Steering Systems Europe Ltd.	tel: 024-76-588588
		Bangkok	tel: 038-454010-454016	Coventry	
		NSK Bearings Manufacturing (Thailand) Co., Ltd.	tel: 038-522-343-350	North and South America	
		Chonburi	tel: 038-454631-454633	NSK Americas, Inc. (American Headquarters)	
		SIAM NSK Steering Systems Co., Ltd.		Ann Arbor	tel: 734-913-7500
		Chachoengsao		Argentina:	
		NSK Asia Pacific Technology Center (Thailand) Co., Ltd.		NSK Argentina SRL	
		Chonburi		Buenos Aires	tel: 11-4704-5100
		Vietnam:		Brazil:	
		NSK Representative Office		NSK Brasil Ltda.	www.br.nsk.com
		Hanoi	tel: 04-935-1269	São Paulo	tel: 011-3269-4723
		Europe		Canada:	
		NSK Europe Ltd. (European Headquarters)	www.eu.nsk.com	NSK Canada Inc.	www.ca.nsk.com
		Maidenhead, U.K.	tel: 01628-509800	Toronto	tel: 905-890-0740
		France:		Mexico:	
		NSK France S.A.S	tel: 01-30-57-39-39	NSK Rodamientos Mexicana, S.A. de C.V.	www.mx.nsk.com
		Paris		Mexico City	tel: 55-5390-4312
		Germany:		United States of America:	
		NSK Deutschland GmbH	tel: 02102-481-0	NSK Corporation	www.us.nsk.com
		Düsseldorf		Ann Arbor	tel: 734-913-7500
		NSK Precision Europe GmbH	tel: 02102-481-0	NSK American Technology Center	
		Düsseldorf		Ann Arbor	tel: 734-913-7500
		NSK Steering Systems Europe Ltd.	tel: 0771-79082-277	NSK Precision America, Inc.	www.npa.nsk.com
		Stuttgart		Franklin	tel: 317-738-5038
		Neueweg Fertigung GmbH	tel: 07393-540	NSK Steering Systems America, Inc.	www.nssa.nsk.com
		Munderkingen		Bennington, Vermont	tel: 802-442-5448
		Italy:		NSK Latin America, Inc.	www.la.nsk.com
		NSK Italia S.p.A.	tel: 02-995-19-1	Miami	tel: 305-477-0605
		Milano			
		Industria Cuscinetti S.p.A.	tel: 0119824811		
		Torino Plant			

NSK Ltd. has a basic policy not to export any products or technology designated as controlled items by export-related laws. When exporting the products in this brochure, the laws of the exporting country must be observed. Specifications are subject to change without notice and without any obligation on the part of the manufacturer. Every care has been taken to ensure the accuracy of the data contained in this brochure, but no liability can be accepted for any loss or damage suffered through errors or omissions. We will gratefully acknowledge any additions or corrections.

For more information about NSK products, please contact: _____



Printed on 100% recycled paper.